



because it works



DUOMIX PU 460

DUAL COMPONENT
POLYUREA SYSTEM

DUOMIX PU 280

FOAM SYSTEM



DUOMIX PU 460 – DUAL COMPONENT POLYUREA SYSTEM

The powerful WIWA DUOMIX PU 460 is the ideal system design for applying Polyurea and PU-foam. With powerful material flow heaters, phase monitoring, differential pressure shut-down and control of the mixing ratio the PU 460 offers high process reliability in all fields of application.

ADVANTAGES

- Short heat-up period due to powerful material flow heaters
- Also suitable for generator operation
- No overheating of material
- Integrated phase monitoring
- Display of material consumption
- Material feed from small or large material drums
- Suitable for foam and coating materials
- Operator friendly due to clear colour display
- Compact design
- The frame is transportable by crane, moveable on rollers and stackable
- Simple maintenance

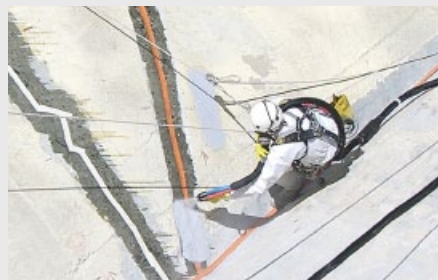
AREAS OF APPLICATION

- Tank coatings and linings
- Pipe coatings and linings
- Flooring and parking lots
- Truck beds (anti-wear)
- Linings for railway cars and track bed coverings
- Roof coatings (crack sealant, restoration and preservation)
- Chemical protection (biogas reactors, sewage treatment facilities)



SPECIFICATIONS

Mixing Ratio	1:1*
Max. Fluid Pressure	240 bar / 3480 psi
Pressure Ratio	30:1
Output per Cycle	194 cm ³ / 0.05 gal.
Max. Inbound Air Pressure	8 bar / 116 psi
Max. Application Rate	12 l/min. / 3,1 gal./min.
Max. Hose length	123 m / 405 ft.
Voltage/phases power	230 V / 1 P 14,5 kW
Voltage/phases power	400 V / 3 P 16,5 kW
Air consumption	1200 l/min 317 gal./min. at 8 bar / 116 psi



* possible from 1:1 to 10:1

DUOMIX PU 280 – FOAM SYSTEM

The WIWA DUOMIX PU 280 was specially developed for the processing of PU-foams, based on the experiences made with the WIWA DUOMIX PU 460. Due to its compact design, the PU 280 is very flexible in use. The powerful material flow heater ensures short material heat-up periods.

ADVANTAGES

- Short heating times due to powerful material flow heater
- No overheating of material
- High flexibility in use due to the large wheels for construction site use
- Compact and powerful, ideal for foam applications
- Highly maintenance friendly because of the open and straightforward design
- Well thought-out concept with integrated pump and hose brackets
- Simple operation of all control elements

AREAS OF APPLICATION

- Roof renovation
- Insulation of cavities
- Heat and sound insulation



SPECIFICATIONS

Mixing Ratio	1:1
Max. Fluid Pressure	120 bar / 1740 psi
Pressure Ratio	15:1
Output per Cycle	144 cm ³ / 0.04 gal.
Max. Inbound Air Pressure	8 bar / 116 psi
Max. Application Rate	8,6 l/min. 2,2 gal./min.
Max. Hose length	48 m / 158 ft.
Voltage/phases power	400 V / 3 P 9kW
Air consumption	900 l/min 237,75 gal/min at 8 bar / 116 psi



EXAMPLES OF OUR ACCESSORIES RANGE



Hose bracket mounting kit for
15m, 30m, 45m hose package (for PU 460)



Mounting kit with stainless
steel container (for PU 460)

Head office and production site

WIWA Wilhelm Wagner GmbH & Co. KG
Gewerbestraße 1-3
35633 Lahnu, Germany

Phone +49(0)64 41/60 9-0
Fax +49(0)64 41/60 9-50

info@wiwa.de
www.wiwa.com

WIWA Partnership USA

WIWA LP
107 N. Main St.
P.O. Box 398, Alger, OH 45812

Phone: +1-419-757-0141
Fax: +1-419-549-5173
Toll Free: +1-855-757-0141

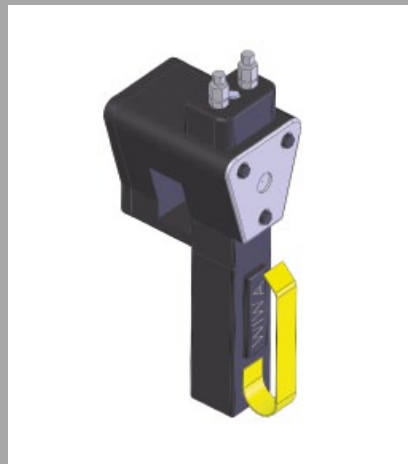
sales@wiwalp.com
www.wiwalp.com

WIWA subsidiary in China

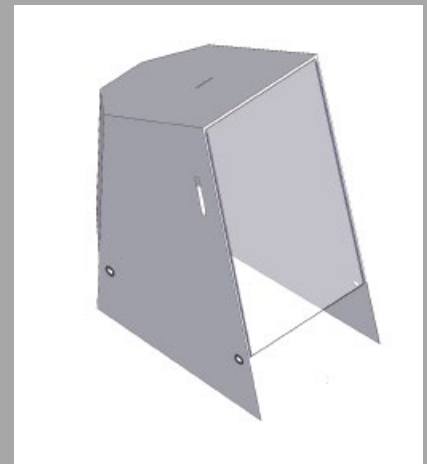
WIWA (Taicang) Co., Ltd.
Building A of Huaxin Industrial Park
No.11 East Qingdao Road, Taicang City
Jiangsu Province 215400, P.R.China

Phone: +86-512-53548857
Fax: +86-512-53548859

www.wiwa-china.com
info@wiwa-china.com



Reverse flow spray gun



Protective hood
for control cabinet (for PU 460)



Diaphragm pump, piston pump 2:1
and silicagel filter mounting kit



Mounting kit relief (for PU 460)